
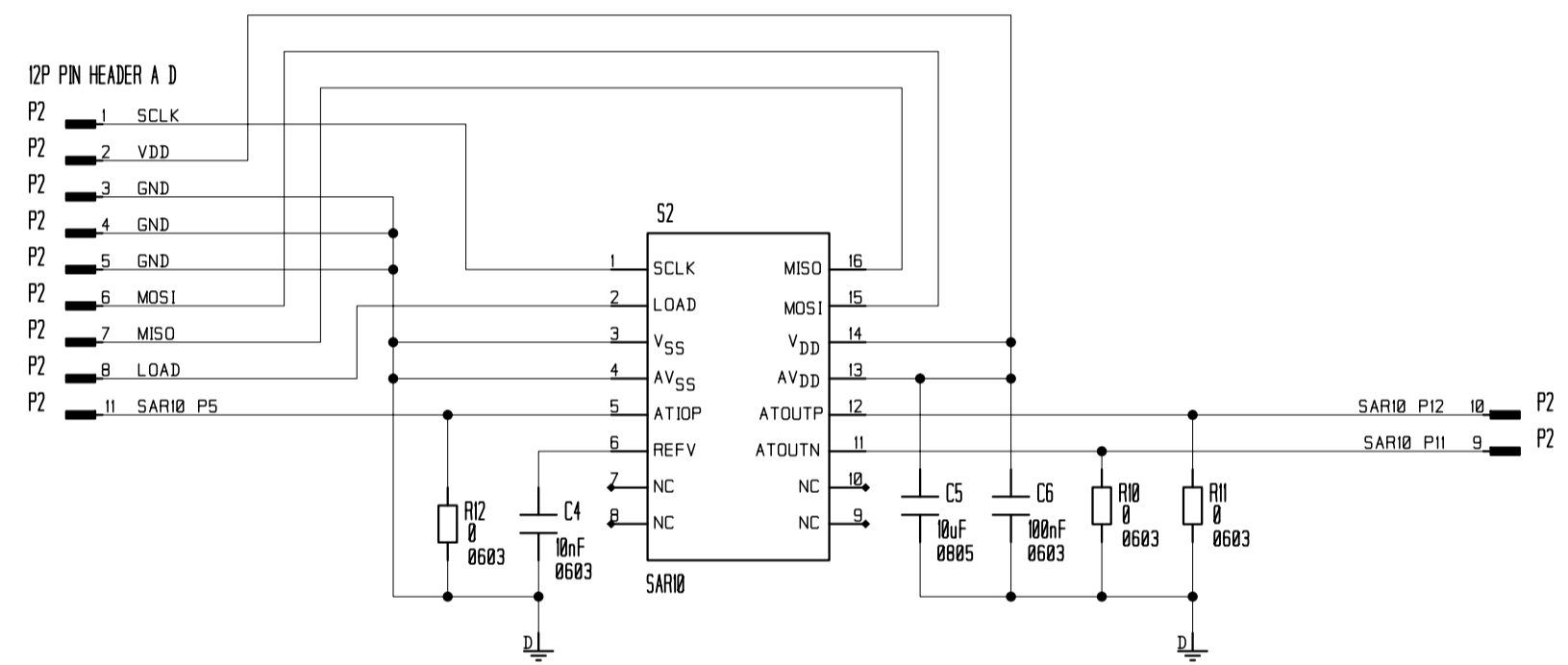

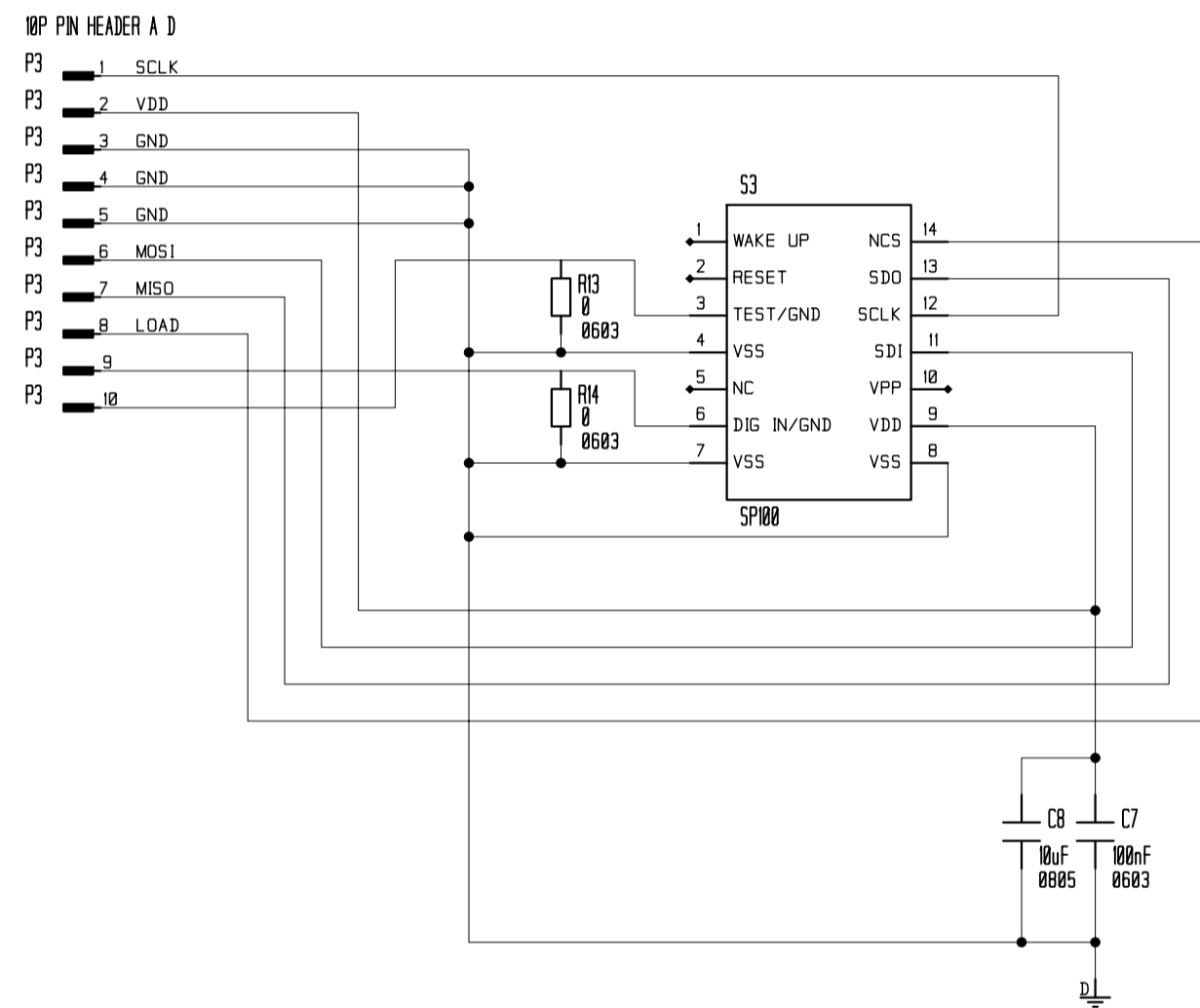



REV. / APP.									
APP. DATE									
DESIGN TOOL: ZUKEN-CADSTAR				Sensoror Technologies AS SAR100 Satellite PCB			 Norautron Solutions AS		
DRAWN	20090630	LB	SAR100			E3654_00_10A			
CHECKED	20090702	RW				REV.: A1			
APPROVED	20090703	TBA	SHEET 1 OF 3 SH.SIZE: A2			FILE NO.: E3654_00_10A.scm			



REV. / APP.									
APP. DATE									
DESIGN TOOL: ZUKEN-CADSTAR				Sensoron Technologies AS SARI00 Satellite PCB			 Norautron Solutions AS		
DRAWN	20090630	LB	SARI0HZ			E3654_00_10A		REV.:	A1
CHECKED	20090702	RW							
APPROVED	20090703	TBA	SHEET 2 OF 3			SH.SIZE: A2		FILE NO.: E3654_00_10A.scm	



REV. / APP.									
APP. DATE									
DESIGN TOOL: ZUKEN-CADSTAR			Sensoror Technologies AS SARI00 Satellite PCB SPI00			 Norautron Solutions AS		E3654_00_10A	
DRAWN	20090630	LB	CHECKED	20090702	RW	APPROVED	20090703	TBA	REV.: A1
SHEET 3 OF 3						SH.SIZE: A2	FILE NO.: E3654_00_10A.scm		